

625 MADI Router



The NTP 625 MADI Router is a 2048² cross points router in a single 19" 5RU frame including dual controller and dual PSU. Up to 18 MADI cards with four MADI input and output interfaces can be installed.

Key features:

- Up to 3000² MADI router matrix systems
- In-line signal processing
- 4 MADI I/O's and 256 channels per card
- TCP I/P control
- Full redundancy



NTP TECHNOLOGY

A DAN TECHNOLOGIES COMPANY

Configuration

625 MADI Router

The 625 MADI Router is a modular device having 18 slots, which can be installed with MADI Input/output interface cards. One frame has a TDM bus capacity of 2048 channels at 48 kHz sample rate. Two frames can be interconnected using the NTP XBus connection for a total of 3072 channels. The 625 MADI Router provides a fully non-blocking routing switcher solution.

For a typical 2K MADI router 8 MADI interface cards are required. If the full MADI capacity is not required the frame can additionally be configured with analogue and digital AES3 cards as well.

The 625 MADI Router is controlled and supervised by the unique NTP Router Control System (RCS) via TCP/IP and UDP, The controller is an integrated part of the router system hardware, and can be accessed via the NTP Visual Matrix Control client software.

MADI Interface Card

The 625 MADI Interface consists of the 625-531 QUAD TDM card and the 625-556 QUAD MADI box.

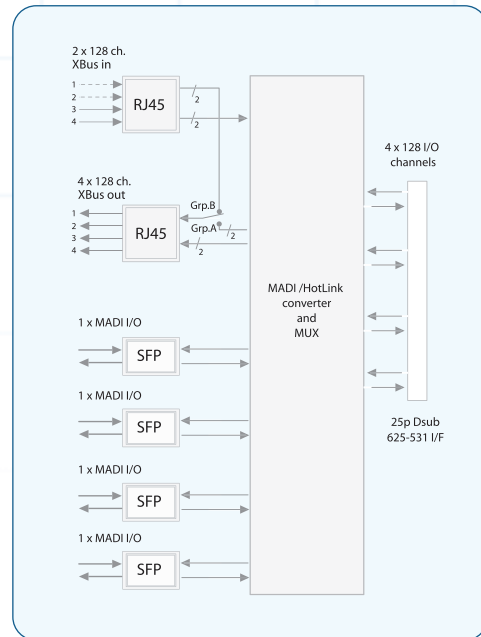
The 625-531 Quad TDM card interfaces the internal TDM bus of the frame and the 625-556 QUAD MADI box provides the external MADI and XBus I/O connections.

The 625-556 QUAD MADI box can interface up to four bi-directional MADI connections available on optical fibre or electrical CAT6 cables. Various SFP modules are available for optical fibre connection for single- and multimode fibre with 1300nm or 850nm wave length, at various signal levels.

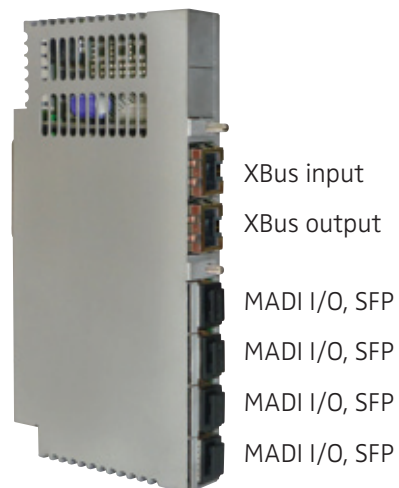
256 input and output channels are available when interfacing 4 MADI connections. In order to have 512 channels a total of 8 MADI inputs are required. Two cards can be linked together via the XBus interface using standard CAT6 cable in order to have all 512 channels available on the TDM bus of the frame.

The linked signals are looped passively through the 625-556 QUAD MADI box, so no signal disconnection can appear if the TDM interface card or the MADI box is not in operation, i.e. has been disconnected or turned off.

625-556 Interface block diagram



625-556 Interface box



NTP Technology A/S

Nybrovej 99 2820 Gentofte Denmark
T: +45 4596 8880 F: +45 4453 1170 E: ntp@ntp.dk
www.ntp.dk